





Ecolabel (35°C / 55°C)		<b>A++ / A+</b>		Ecolabel (35°C / 55°C)		
Binnenunit	Type	<b>WC06</b>		Type	Unité intérieure	
	Fabriekscode	WSHA100DG		Code de fabrication		
Buitenunit	Type	<b>WOC05RIY</b>		Type	Unité extérieure	
	Fabriekscode	WOHA060LFCA		Code de fabrication		
Koelmiddel		R410A			Réfrigérant	
Verwarming (*)	Vermogen +7°C/35°C	kW	6	kW	Puissance +7°C/35°C	Chauffage (*)
	Opgeen. elektr. vermogen	kW	1,41	kW	Puissance él. absorbée	
	COP		4,27		COP	
	Vermogen +2°C/35°C	kW	2,76	kW	Puissance +2°C/35°C	
	Opgeen. elektr. vermogen	kW	0,69		Puissance él. absorbée	
	COP		4,01		COP	
	Vermogen +7°C/45°C	kW	5,10		Puissance +7°C/45°C	
	Opgeen. elektr. vermogen	kW	1,50	kW	Puissance él. absorbée	
COP		3,40		COP		
	Vloeistof injectie		-		Injection liquide	
Verwarming Max. vermogen	Vermogen -10°C/35°C	kW	4,39	kW	Puissance -10°C/35°C	Chauffage Puissance max.
	Vermogen -10°C/45°C	kW	4,25	kW	Puissance -10°C/45°C	
	Vermogen -10°C/60°C	kW	-	kW	Puissance -10°C/60°C	
	Vermogen -15°C/35°C	kW	4,04	kW	Puissance -15°C/35°C	
	Vermogen -15°C/45°C	kW	3,91	kW	Puissance -15°C/45°C	
	Vermogen -15°C/60°C	kW	-	kW	Puissance -15°C/60°C	
Koeling		optie/option			Réfrigérissement	
Binnendeel	Waterdebiet nominaal	l/u	1040	l/h	Débit d'eau nominal	Unité intérieure
	Waterdebiet minimaal	l/u	650	l/h	Débit d'eau minimal	
	Werkdruk maximaal	Bar	3	Bar	Pression opérationnelle max.	
	Wateruittrede min-max	°C	+8/+55	°C	Sortie d'eau min./max.	
	Waterinhoud	L	16	L	Contenu eau	
	Expansievat	L	8	L	Vase d'expansion	
	Hoogte-breedte-lengte	mm	800-450-457	mm	Hauteur-largeur-profondeur	
	Gewicht (leeg-gevuld)	kg	42-58	kg	Poids (vide-plein)	
Kleur	RAL	9003	RAL	Couleur		
Buitendeel	Geluidsniveau	dB(A)	50	dB(A)	Niveau sonore	Unité extérieure
	Debiet (hoog)	m³/h	2070	m³/h	Débit (haut)	
	Compressor		DC Twin Rotary		Compresseur	
	Werkingslim. verwarmen	°C	-20/+35	°C	Plage de fonct. chauff.	
	Hoogte-breedte-lengte	mm	620-790-290	mm	Hauteur/largeur/profond.	
	Gewicht	kg	41	kg	Poids	
Kleur (benadering)	RAL	1013	RAL	Couleur (approximative)		
Elektr. install.	Voeding	V	230/1	V	Alimentation	Install. électr.
	Stroom max. verwarmen	A	12,5	A	Amp. max chauffage	
	Zekering traag	A	16	A	Fusible retardé	
	Hoofdvoeding aanbr.op		buiten/ext.		Unité à alimenter	
	Sectie voedingskabel	mm²	3G2,5	mm²	Section câble alimentation	
	Sectie tssn bi en bu	mm²	4G1,5	mm²	Section entre int. et ext.	
	Voeding SWW	V	230/1	V	Alimentation ECS	
	Zekering SWW	A	16	A	Fusible chauffage ECS	
Sectie verwarming SWW	mm²	3G2,5	mm²	Section chauffage ECS		
Tech. install.	Hydr. aansluiting binnendeel	inch	2x1"	inch	Raccordement hydraulique	Install. Techn.
	Diameter hoofdleiding	inch	1"	inch	Diamètre tuyau principal	
	Expansie		buiten/ext.		Détente	
	Zuigleiding bi/bu	inch	1/2	inch	Diamètre gaz int/ext	
	Vloeistofleiding bi/bu	inch	1/4	inch	Diamètre liquide int/ext	
	Standaardvulling (CO <sub>2</sub> -eq)**	kg-m (kg)	1,1-15 (2297)	kg-m (kg)	Charge standard (CO <sub>2</sub> -eq)**	
	Bijvulling (CO <sub>2</sub> -eq)**	g/m (kg)	25 (52)	g/m (kg)	Charge supplémentaire (CO <sub>2</sub> -eq)**	
	Min./Max. leidinglengte	m	5-30	m	Longueur min./max. tuyaux	
	Hoogteverschil max	m	20	m	Dénivelé max	
Diam. condensafvoer bi/bu	mm	32/16	mm	Diam. évac. condensat bi/bu		

(\*) gegevens volgens de norm EN14511

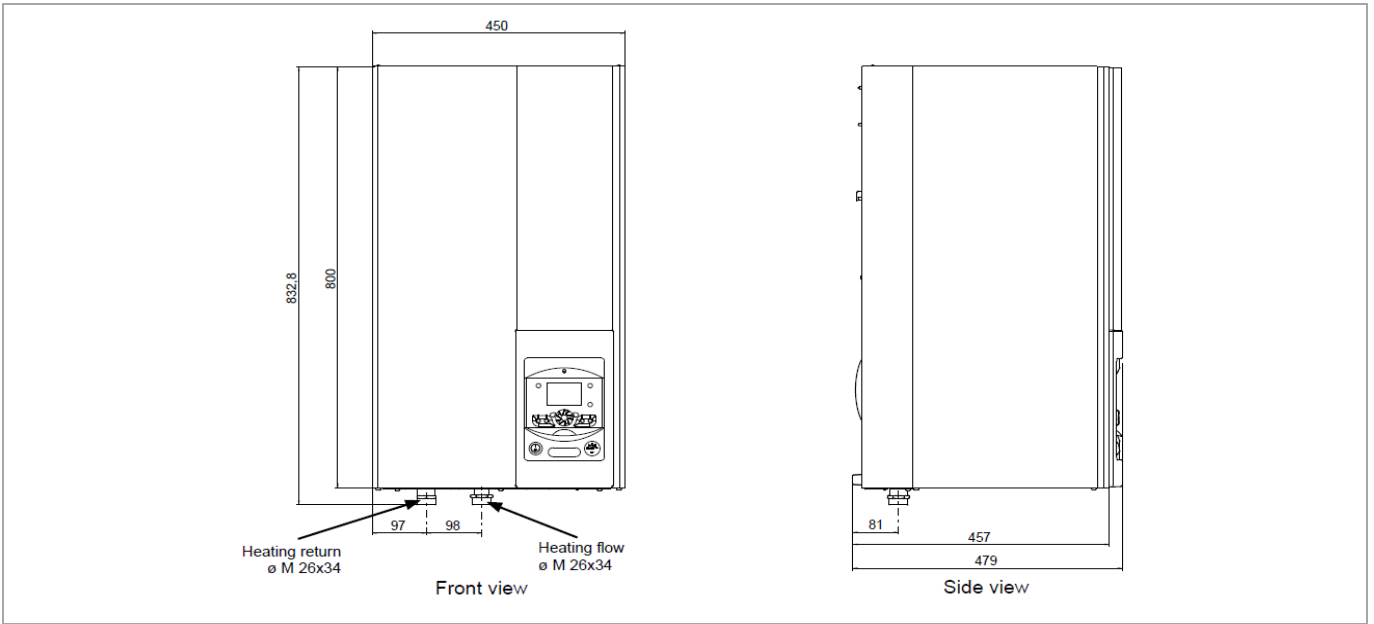
(\*\*) Gerekend met een GWP-waarde van 2088 voor R410a

(\*) suivant la norme EN14511

(\*\*) Calculé avec une GWP-valeur de 2088 pour R410a

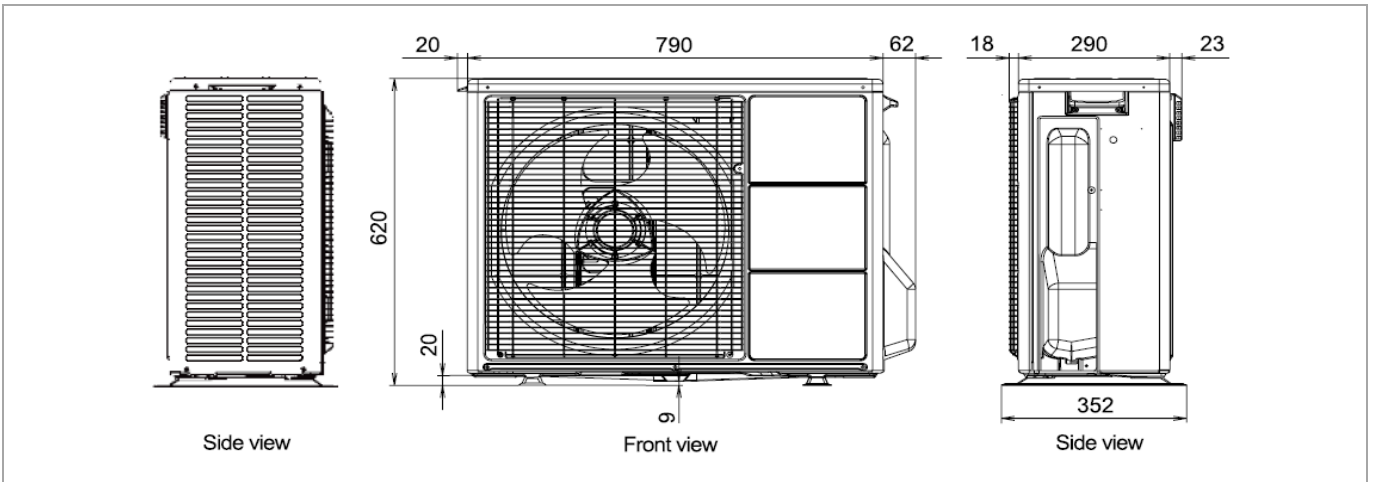
Binnendeel

Unité intérieure



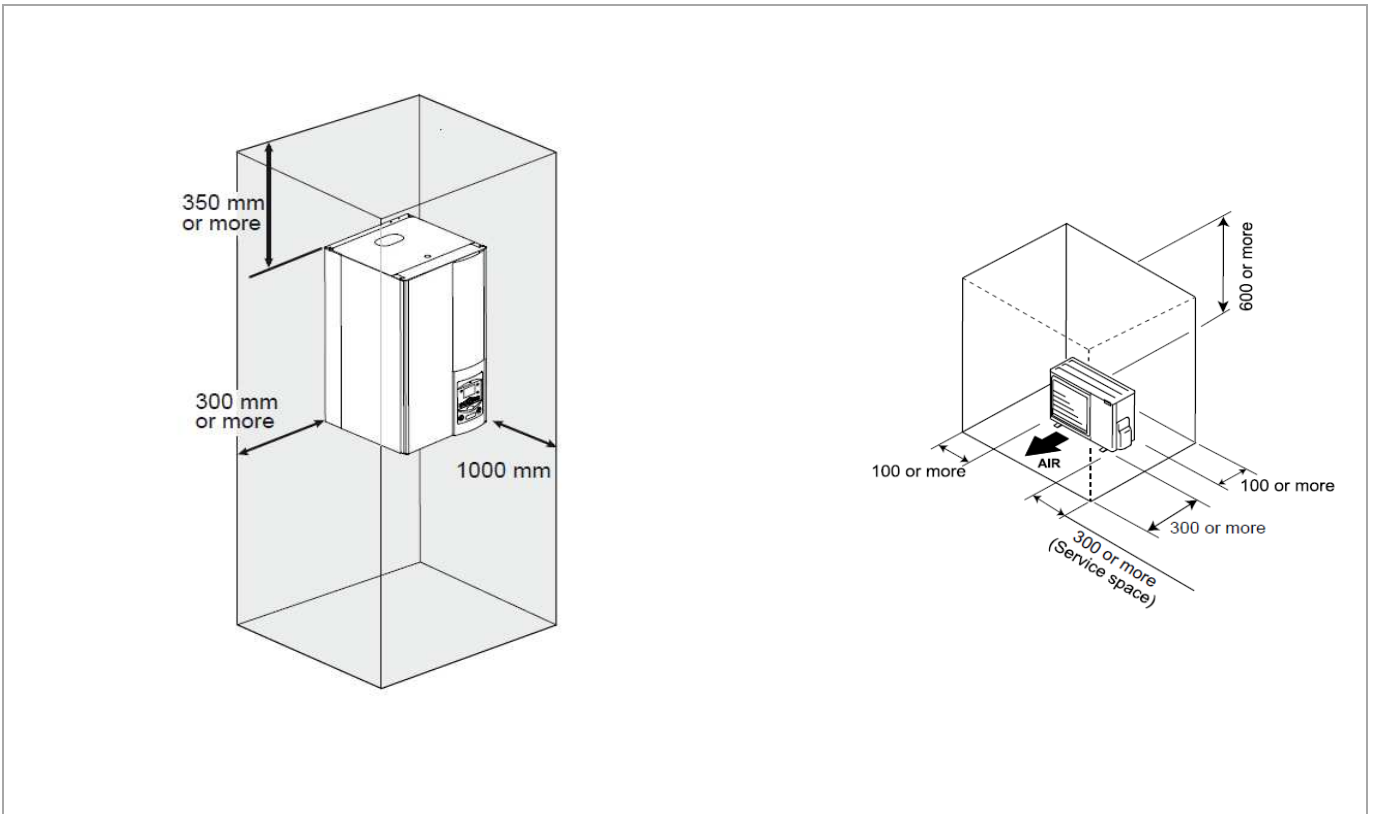
Buitendeel

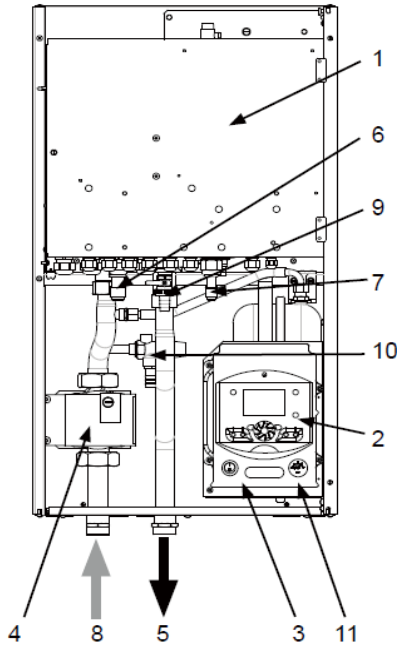
Unité extérieure



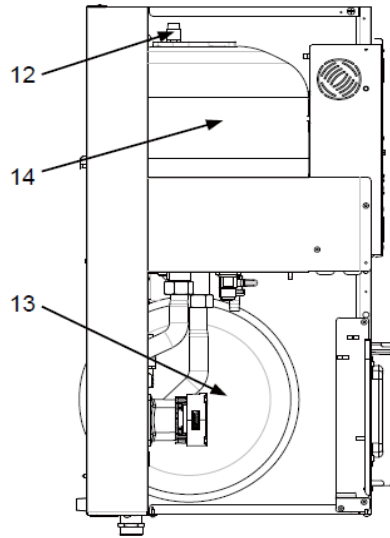
Montage

Montage





Front view



Side view

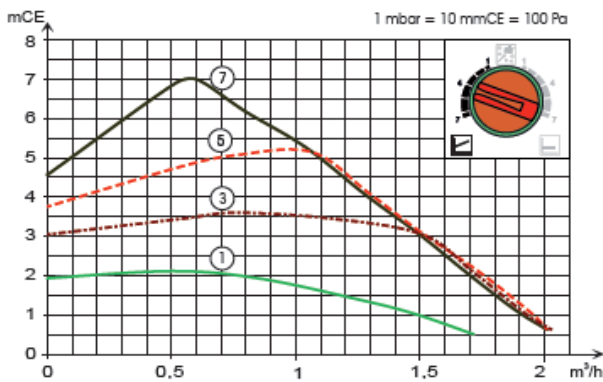
Legend :

- 1 -Electric box
- 2 -Regulator / User interface
- 3 -Start/stop switch
- 4 -Water circulation pump
- 5 -Water flow
- 6 -Gas refrigeration connection
- 7 -Liquid refrigeration connection
- 8 -Water return
- 9 -Drain valve
- 10 -Safety valve
- 11 -Manometer
- 12 -Manual drainer
- 13 -Expansion vessel
- 14 -Condenser

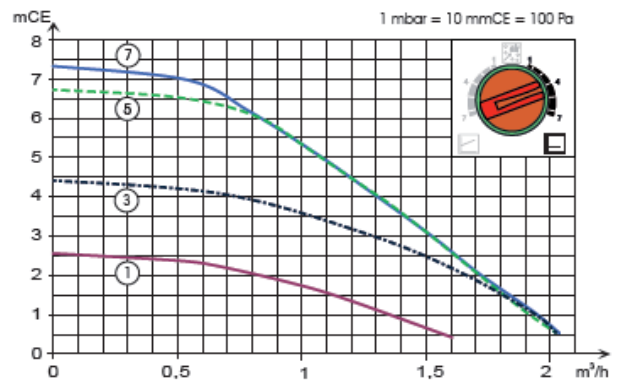
Pomp

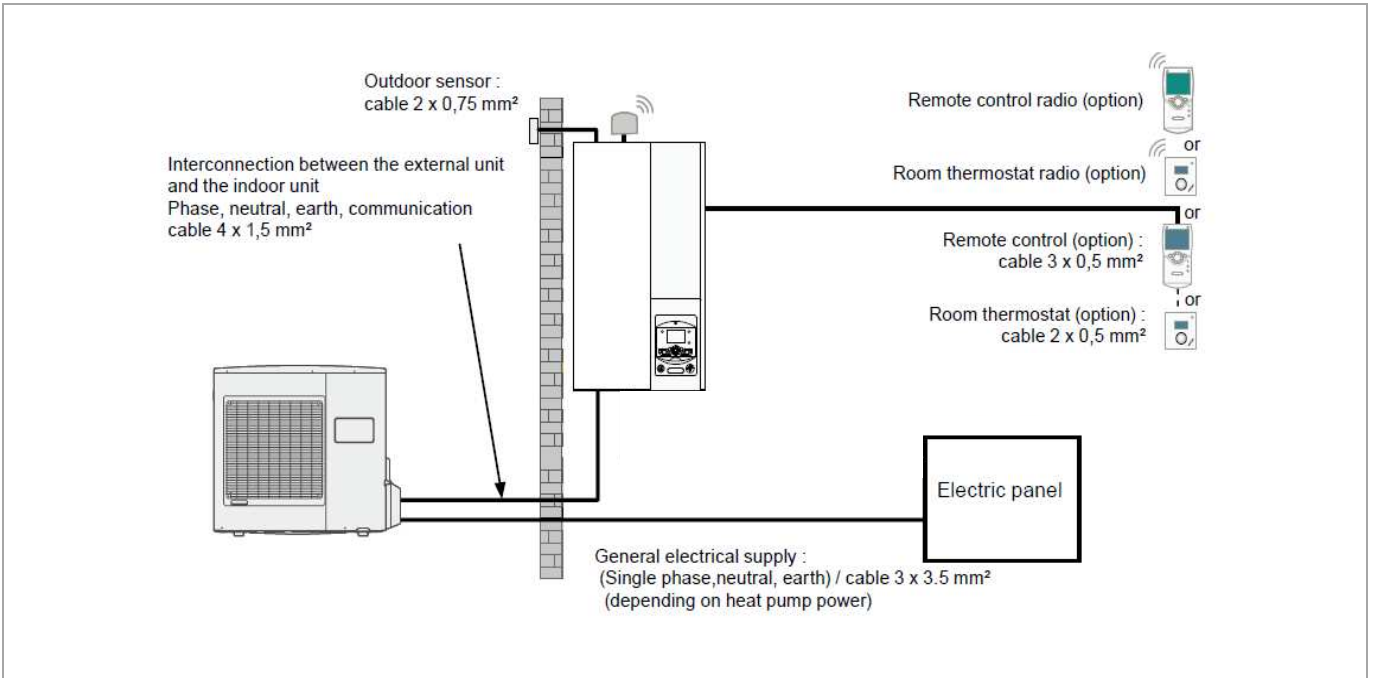
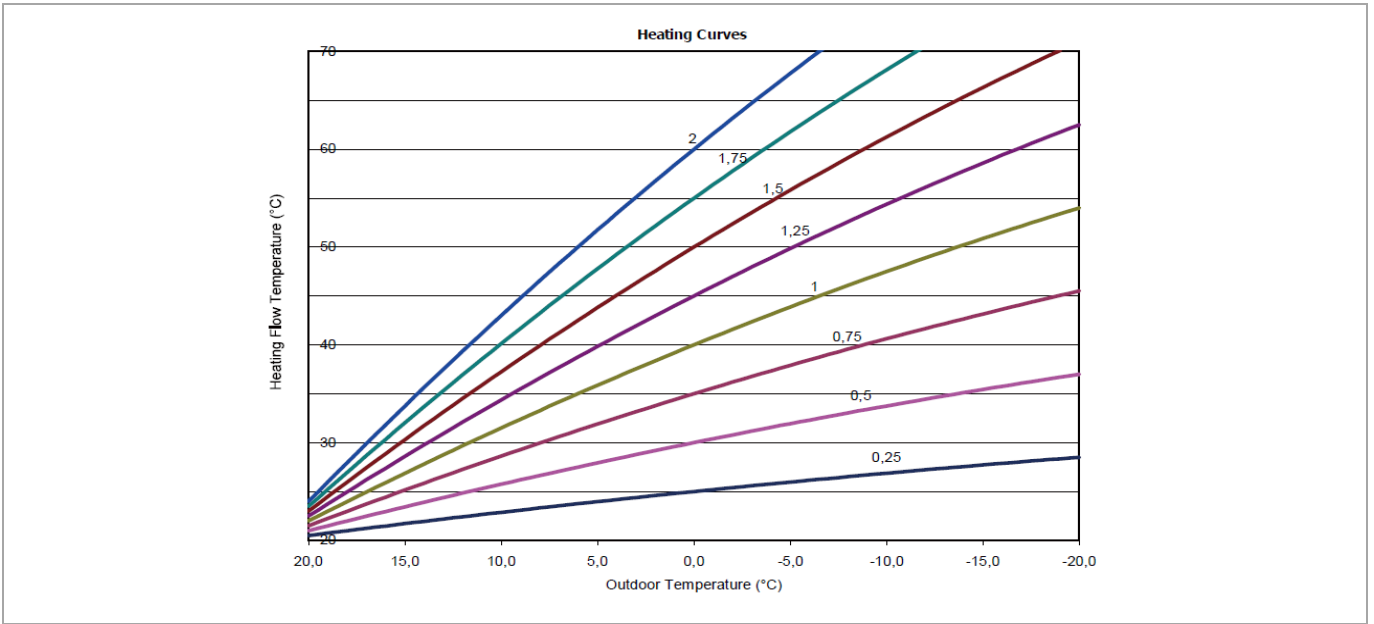
Pompe

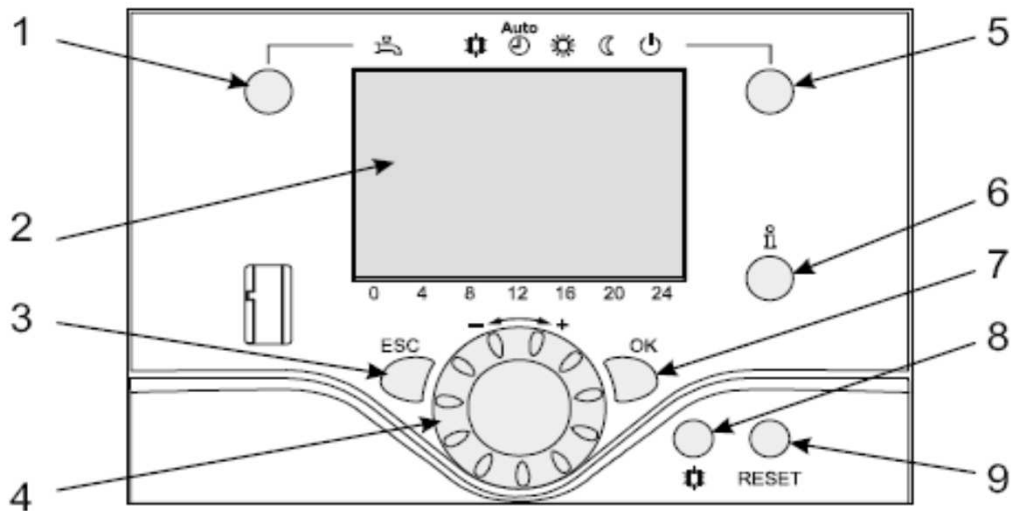
Variabele druk





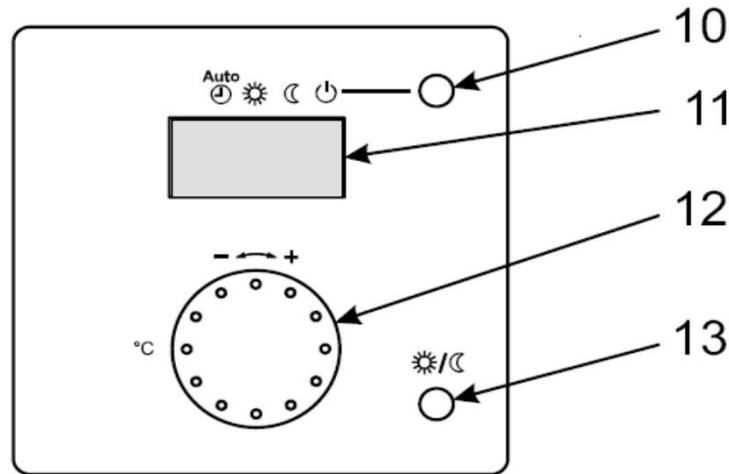
Constate druk







Ref.	Function	- Definitions
1	Selection of the DHW operating regime (Domestic hot water)	<ul style="list-style-type: none"> <li>- If the installation is fitted with a DHW tank.</li> <li>- ON: Production of DHW according to the time program.</li> <li>- Off: Preparing the domestic hot water for stopping with the anti-frost function active.</li> <li>- Boost: Hold down the DHW key for 3 seconds. Immediate DHW operation after use of the electrical back-ups until the DHW comfort setting has been reached</li> </ul>
	 ON	
	 Off	
2	Digital display	<ul style="list-style-type: none"> <li>- Operating control. Readout of the current temperature, of the heating regime and of any faults.</li> <li>- View the settings</li> </ul>
3	Exit "ESC"	- Quit the menu.
4	Navigation and setting	<ul style="list-style-type: none"> <li>- Selecting the menu.</li> <li>- Setting parameters.</li> <li>- Adjusting the ambient temperature setpoint.</li> </ul>
5	Selecting the heating regime	<ul style="list-style-type: none"> <li>- Heating operating according to the heating programme (Summer/winter mode switchover is automatic).</li> <li>- Constant comfort temperature.</li> <li>- Constant reduced temperature.</li> <li>- Stand-by regime with anti-frost protection (Provided that the heat pump's electrical power supply is not interrupted).</li> </ul>
6	Information display	<ul style="list-style-type: none"> <li>- Various data (please see page 59).</li> <li>- Reading error codes (please see page 57).</li> <li>- Information concerning maintenance, special regime.</li> </ul>
7	Confirm "OK"	<ul style="list-style-type: none"> <li>- Input into the selected menu.</li> <li>- Confirmation of the parameter settings.</li> <li>- Confirmation of the adjustment to the comfort temp. setting.</li> </ul>
8	Selecting cooling mode	<ul style="list-style-type: none"> <li>- If the installation is fitted with the cooling kit:</li> <li>- Cooling operating according to the heating programme (Summer/winter mode switchover is automatic).</li> </ul>
9	RESET button (Hold down the "RESET" key for 3 seconds).	- Reinitialising the parameters and cancelling error messages. Do not use during normal operation.



Ref.	Function	- Definitions
10	Selecting the heating regime	<ul style="list-style-type: none"> <li>-  Heating operating according to the heating programme (Summer/winter mode switchover is automatic).</li> <li>-  Constant comfort temperature.</li> <li>-  Constant reduced temperature.</li> <li>-  Stand-by regime with anti-frost protection (Provided that the heat pump's electrical power supply is not interrupted).</li> </ul>
11	Digital display	- Operating control. Readout of the current temperature, of the heating regime and of any faults  .
12	Control knob	- Adjusting the ambient temperature setpoint
13	Presence key	- Comfort / Reduced switchover