





Ecolabel (35°C / 55°C)			A+ / A+		Ecolabel (35°C / 55°C)		
Binnenunit	Type		WHD16		Type		Unité intérieure
	Fabriekscode		WG140DG		Code de fabrication		
Buitenunit	Type		WOH14RIY		Type		Unité extérieure
	Fabriekscode		WOHG140LCTA		Code de fabrication		
Koelmiddel			R410A				Réfrigérant
Verwarming (*)	Vermogen +7°C/35°C	kW	13,5	kW	Puissance +7°C/35°C		Chauffage (*)
	Opgeen. elektr. vermogen	kW	3,23	kW	Puissance él. absorbée		
	COP		4,18		COP		
	Vermogen +2°C/35°C	kW	4,97	kW	Puissance +2°C/35°C		
	Opgeen. elektr. vermogen	kW	1,33	kW	Puissance él. absorbée		
	COP		3,73		COP		
	Vermogen +7°C/45°C	kW	11,54	kW	Puissance +7°C/45°C		
	Opgeen. elektr. vermogen	kW	3,72	kW	Puissance él. absorbée		
COP		3,10		COP			
	Vloeistof injectie		Ja/Oui		Injection liquide		
Verwarming Max. vermogen	Vermogen -10°C/35°C	kW	12,00	kW	Puissance -10°C/35°C		Chauffage Puissance max.
	Vermogen -10°C/45°C	kW	11,17	kW	Puissance -10°C/45°C		
	Vermogen -10°C/60°C	kW	7,97	kW	Puissance -10°C/60°C		
	Vermogen -15°C/35°C	kW	12,00	kW	Puissance -15°C/35°C		
	Vermogen -15°C/45°C	kW	10,69	kW	Puissance -15°C/45°C		
	Vermogen -15°C/60°C	kW	7,21	kW	Puissance -15°C/60°C		
Koeling			optie/option				Refroidissement
Binnendeel	Waterdebiet nominaal	l/u	2357	l/h	Débit d'eau nominal		Unité intérieure
	Waterdebiet minimaal	l/u	1500	l/h	Débit d'eau minimal		
	Werkdruk maximaal	Bar	3	Bar	Pression opérationnelle max.		
	Wateruitrede min-max	°C	+8/+60	°C	Sortie d'eau min./max.		
	Waterinhoud	L	16	L	Contenu eau		
	Expansievat	L	12	L	Vase d'expansion		
	Waterinhoud vat SWW	L	190	L	Contenu boiler ECS		
	Elektr. bijverwarming SWW	kW	0,7	kW	Chauffage aux. ECS		
	Isolatie boiler		5cm Neopor		Isolation boiler		
	Oppervlakte wisselaar boiler	m ²	1,7	m ²	Surface échangeur boiler		
	Hoogte-breedte-lengte	mm	1840-648-698	mm	Hauteur-largeur-profondeur		
Gewicht (leeg-gevuld)	kg	152/366	kg	Poids (vide-plein)			
Kleur	RAL	9003	RAL	Couleur			
Buitendeel	Geluidsniveau	dB(A)	55	dB(A)	Niveau sonore		Unité extérieure
	Debiet (hoog)	m ³ /h	6200	m ³ /h	Débit (haut)		
	Compressor		Twin Rotary LI		Compresseur		
	Werkingslim. verwarmen	°C	-25/+35	°C	Plage de fonct. chauff.		
	Hoogte-breedte-lengte	mm	1290-900-330	mm	Hauteur/largeur/profond.		
	Gewicht	kg	92	kg	Poids		
	Kleur (benadering)	RAL	1013	RAL	Couleur (approximative)		
Elektr. install.	Voeding	V	230/1	V	Alimentation		Install. électr.
	Stroom max. verwarmen	A	25	A	Amp. max chauffage		
	Zekering traag	A	32	A	Fusible retardé		
	Hoofdvoeding aanbr.op		buiten/ext.		Unité à alimenter		
	Sectie voedingskabel	mm ²	3G6	mm ²	Section câble alimentation		
	Sectie tssn bi en bu	mm ²	4G1,5	mm ²	Section entre int. et ext.		
	Voeding SWW	V	230/1	V	Alimentation ch. aux. ECS		
	Zekering SWW	A	10	A	Fusible ECS ch. aux.		
Sectie SWW	mm ²	1,5	mm ²	Section ch. aux. ECS			
Tech. install.	Hydr. aansluiting binnendeel	inch	1"	inch	Raccordement hydraulique		Install. Techn.
	Diameter hoofdleiding	inch	5/4"	inch	Diamètre tuyau principal		
	Expansie		buiten/ext.		Détente		
	Zuigleiding bi/bu	inch	5/8	inch	Diamètre gaz int/ext		
	Vloeistofleiding bi/bu	inch	3/8	inch	Diamètre liquide int/ext		
	Standaardvulling (CO ₂ -eq)**	kg-m (kg)	2,5-15 (5220)	kg-m (kg)	Charge standard (CO ₂ -eq)**		
	Bijvulling (CO ₂ -eq)**	g/m (kg)	50 (104)	g/m (kg)	Charge supplémentaire (CO ₂ -eq)**		
	Min./Max. leidinglengte	m	5-20	m	Longueur min./max. tuyaux		
	Hoogteverschil max	m	15	m	Dénivelé max		
Diam. condensatvoer bi/bu	mm	32/16	mm	Diam. évac. condensat bi/bu			

(*) gegevens volgens de norm EN14511

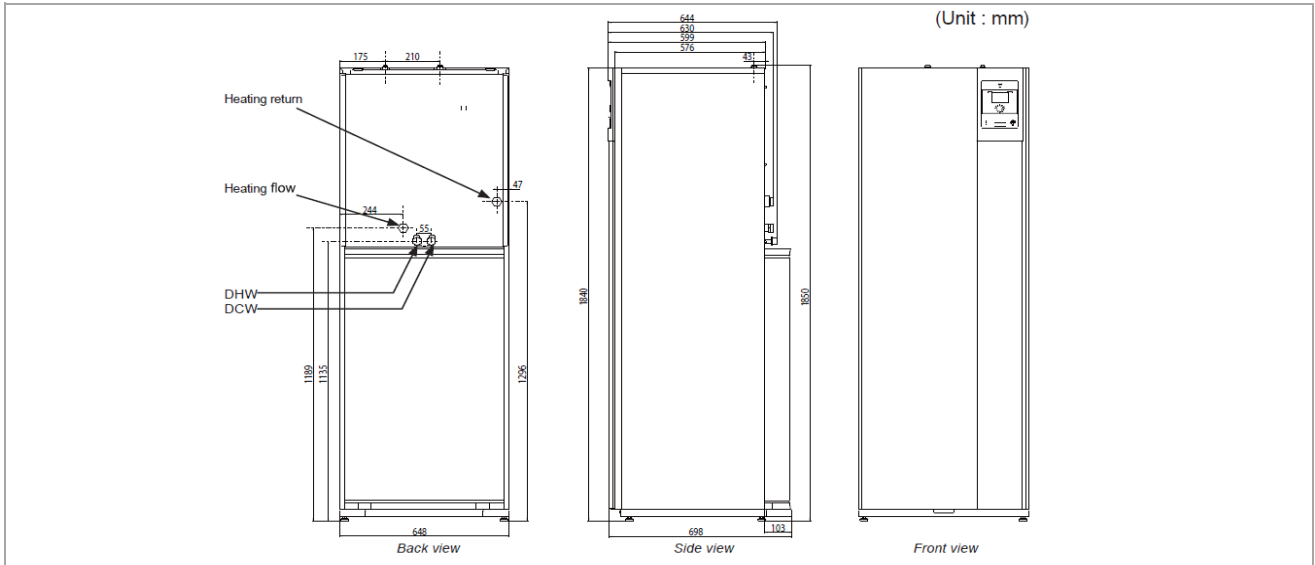
(*) suivant la norme EN14511

(**) Gerekend met een GWP-waarde van 2088 voor R410a

(**) Calculé avec une GWP-valeur de 2088 pour R410a

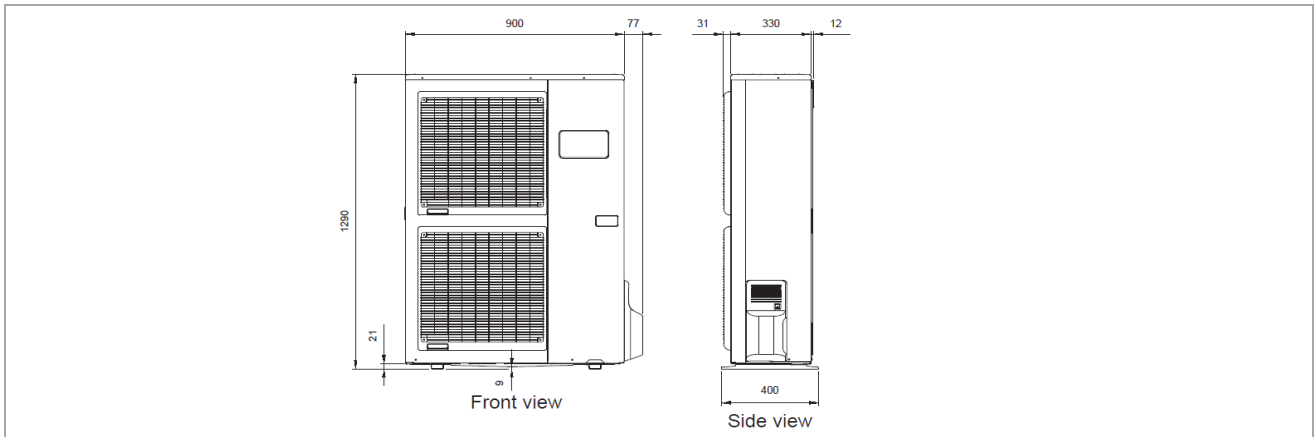
Binnendeel

Unité intérieure



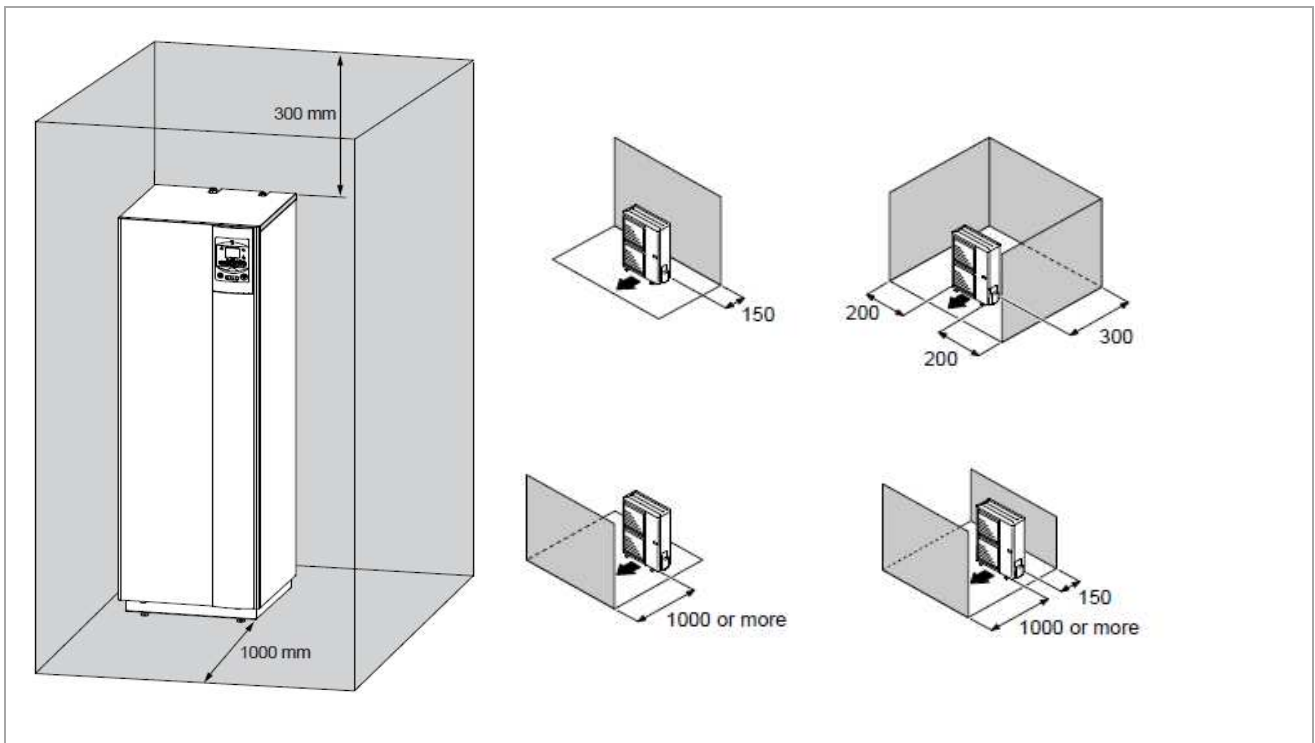
Buitendeel

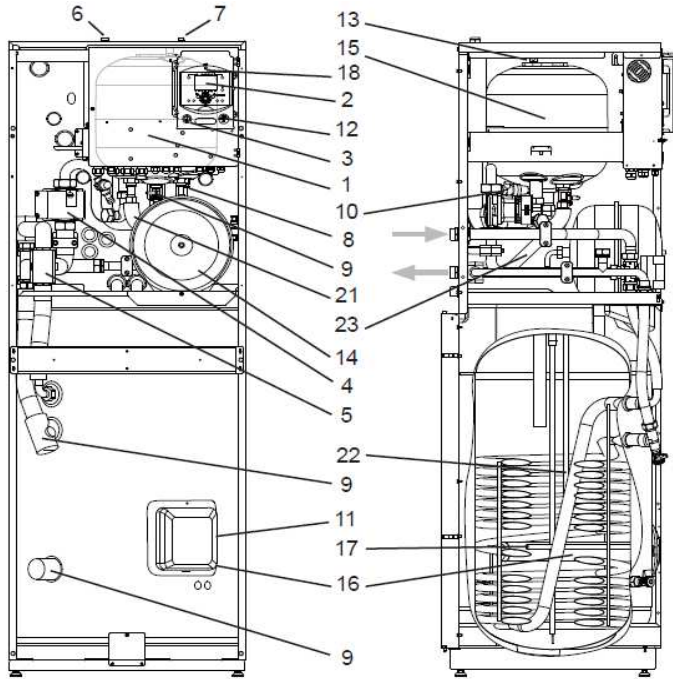
Unité extérieure



Montage

Montage

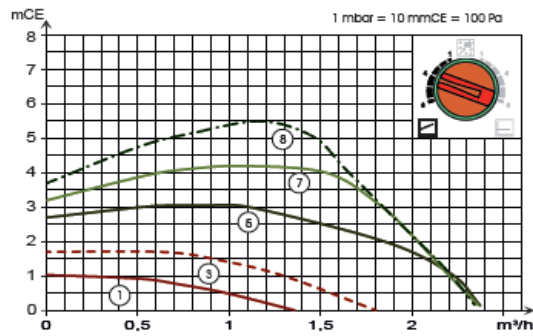




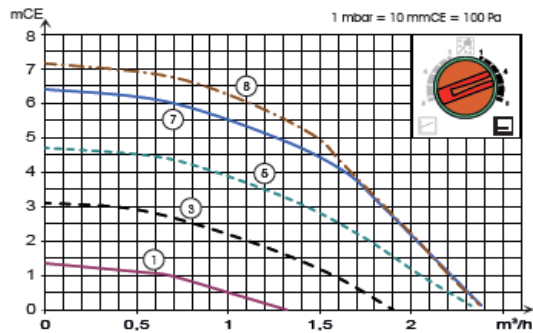
Legend :

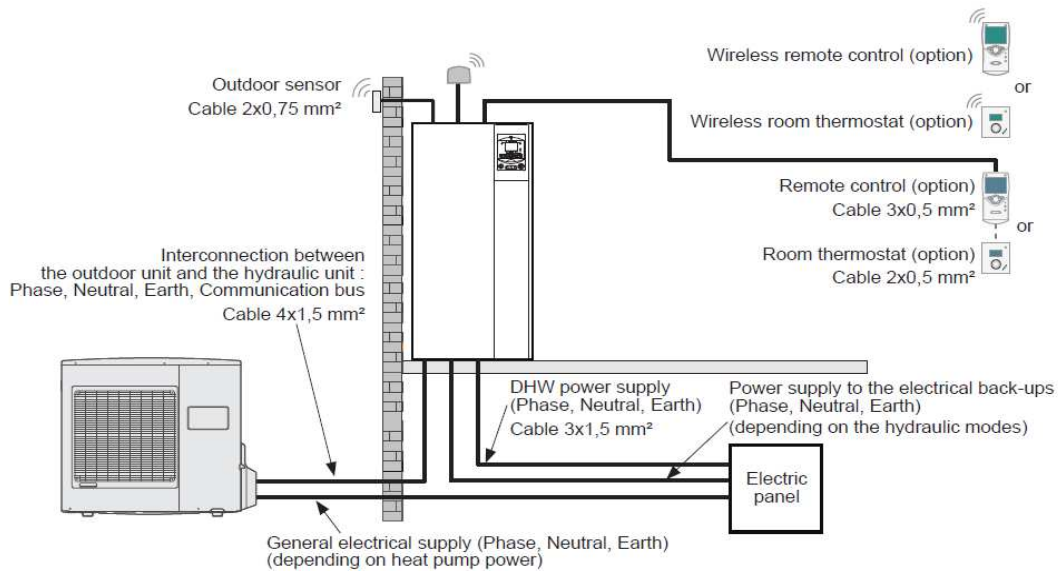
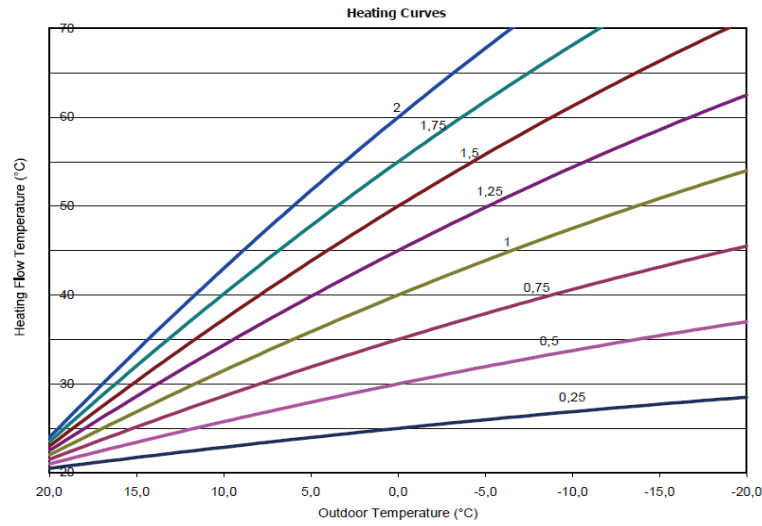
- 1 - Electric box.
 - 2 - Regulator / User interface.
 - 3 - Start/stop switch.
 - 4 - Hydraulic pumping unit.
 - 5 - Distribution valve.
 - 6 - Gas refrigeration connection.
 - 7 - Liquid refrigeration connection.
 - 8 - Condensation sensor.
 - 9 - Drain valve.
 - 10 - Safety valve.
 - 11 - Safety thermostat.
 - 12 - Manometer.
 - 13 - Manual drainer.
 - 14 - Expansion vessel.
 - 15 - Condenser.
 - 16 - Electrical back-ups DHW (Soapstone).
 - 17 - ACI.
 - 18 - ACI card.
- Sensors :
- 21 - Water flow sensor.
 - 22 - DHW sensor.
 - 23 - Water return sensor.

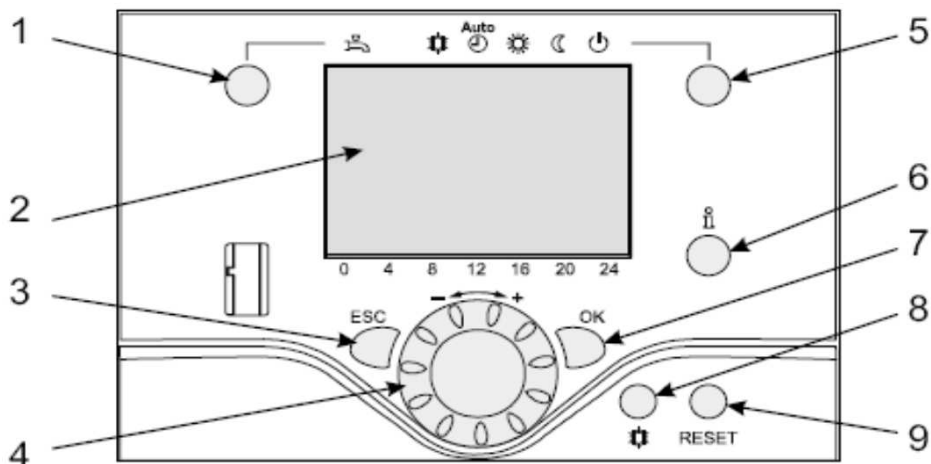
Variabele druk







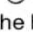


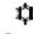


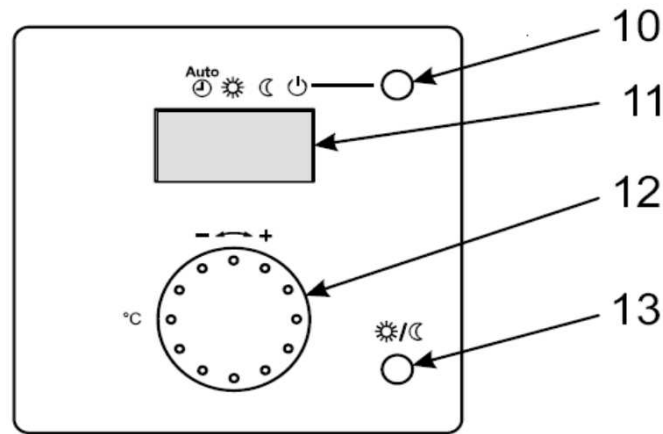
Constate druk












Ref.	Function	- Definitions
1	Selection of the DHW operating regime (Domestic hot water)	<ul style="list-style-type: none"> - If the installation is fitted with a DHW tank. - ON: Production of DHW according to the time program. - Off: Preparing the domestic hot water for stopping with the anti-frost function active. - Boost: Hold down the DHW key for 3 seconds. Immediate DHW operation after use of the electrical back-ups until the DHW comfort setting has been reached
	 ON	
	 Off	
2	Digital display	<ul style="list-style-type: none"> - Operating control. Readout of the current temperature, of the heating regime and of any faults . - View the settings
3	Exit "ESC"	- Quit the menu.
4	Navigation and setting	<ul style="list-style-type: none"> - Selecting the menu. - Setting parameters. - Adjusting the ambient temperature setpoint.
5	Selecting the heating regime	<ul style="list-style-type: none"> -  Heating operating according to the heating programme (Summer/winter mode switchover is automatic). -  Constant comfort temperature. -  Constant reduced temperature. -  Stand-by regime with anti-frost protection (Provided that the heat pump's electrical power supply is not interrupted).
6	Information display	<ul style="list-style-type: none"> - Various data (please see page 59). -  Reading error codes (please see page 57). -  Information concerning maintenance, special regime.
7	Confirm "OK"	<ul style="list-style-type: none"> - Input into the selected menu. - Confirmation of the parameter settings. - Confirmation of the adjustment to the comfort temp. setting.
8	Selecting cooling mode	<ul style="list-style-type: none"> - If the installation is fitted with the cooling kit: -  Cooling operating according to the heating programme (Summer/winter mode switchover is automatic).
9	RESET button (Hold down the "RESET" key for 3 seconds).	- Reinitialising the parameters and cancelling error messages. Do not use during normal operation.



Ref.	Function	- Definitions
10	Selecting the heating regime	<ul style="list-style-type: none"> -  Heating operating according to the heating programme (Summer/winter mode switchover is automatic). -  Constant comfort temperature. -  Constant reduced temperature. -  Stand-by regime with anti-frost protection (Provided that the heat pump's electrical power supply is not interrupted).
11	Digital display	- Operating control. Readout of the current temperature, of the heating regime and of any faults  .
12	Control knob	- Adjusting the ambient temperature setpoint
13	Presence key	- Comfort / Reduced switchover