

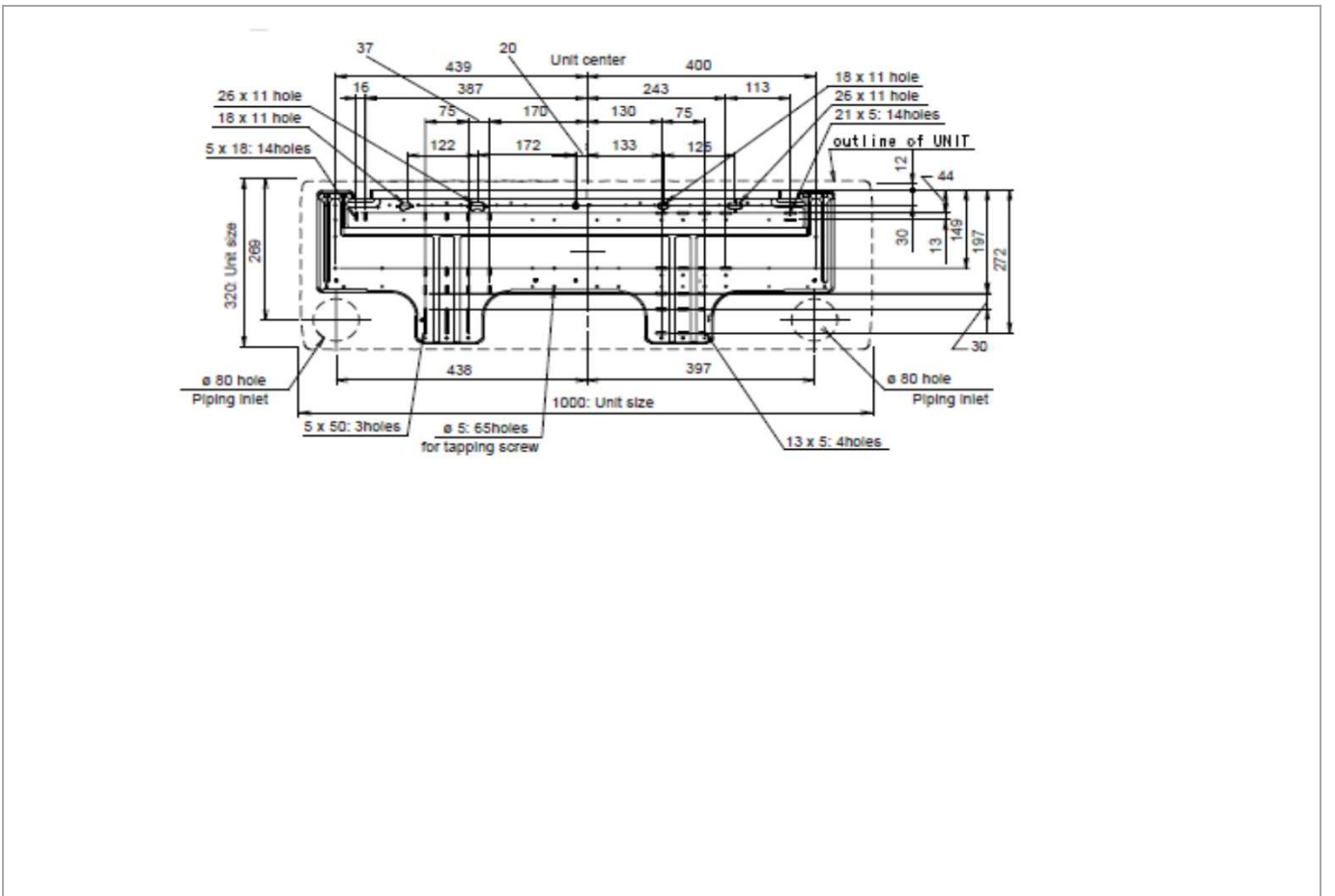
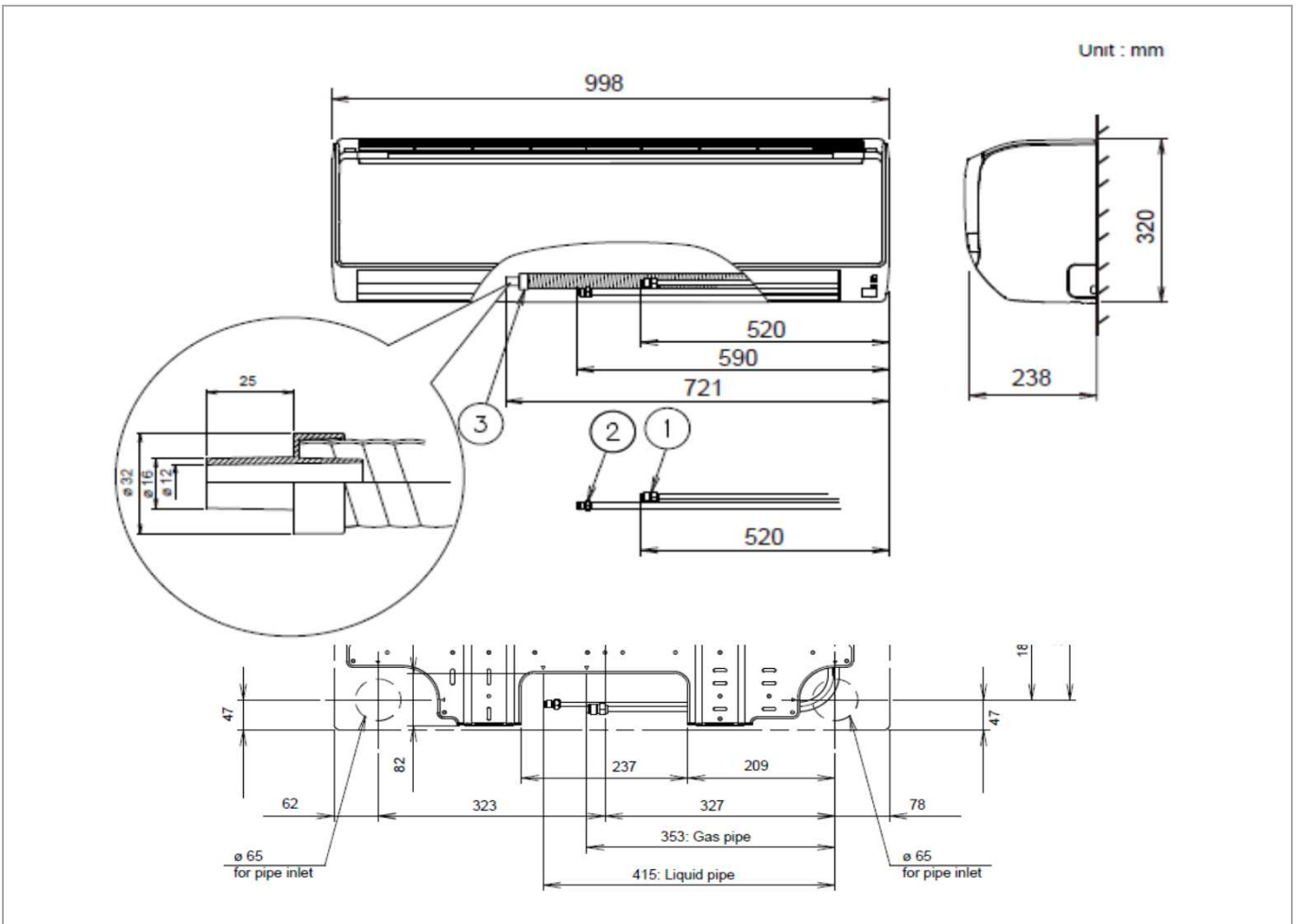


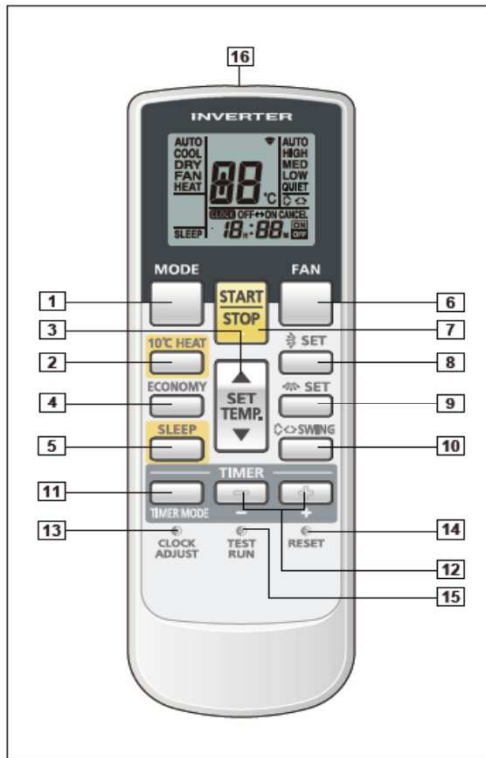

Binnenunit	Type	AS18RIY			Type	Unité intérieure
	Fabriekscode	ASHG18LFCA			Fabriekscode	
Koelmiddel		R410A				Réfrigérant
Verwarming (*)	Vermogen	kW	6	kW	Puissance	Chauffage (*)
Koeling (*)	Vermogen	kW	5,3	kW	Puissance	Refroid. (*)
Binnendeel	Debiet Q/L/M/H	m ³ /h	550/620/740/900	m ³ /h	Débit Q/L/M/H	Unité intérieure
	Geluidsdruk Q/L/M/H (1m)	dB(A)	26/33/37/43	dB(A)	Niv. son. press. Q/L/M/H (1m)	
	Werkingslim. verwarmen	°C	16~30	°C	Plage de fonct. chauff.	
	Werkingslim. koelen	°C	18~32	°C	Plage de fonct. refroid.	
	Hoogte-breedte-lengte	mm	320/998/238	mm	Hauteur/largeur/profond.	
	Gewicht	kg	14	kg	Poids	
Tech.install.	Expansie		Ext.		Détente	Install. Techn.
	Koelleidingen	inch	1/2 -1/4	inch	Lignes frigorifique	
	Sectie tssn bi en bu	mm ²	4G1,5	mm ²	Section entre int. et ext.	
	Diam. condensafvoer bi/bu	mm	12/16	mm	Diam. évac. condensat bi/bu	

(*) gegevens volgens de norm EN14511

(*) SCOP & SEER based on (EU)626/2011

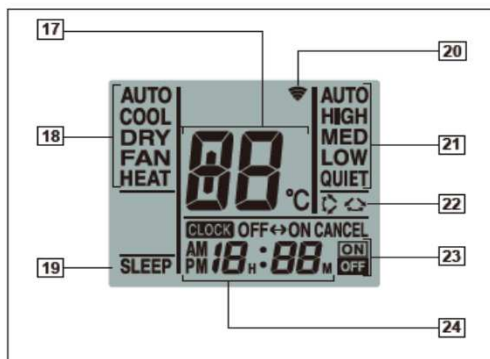
(*) suivant la norme EN14511





Display panel

- 1 **MODE button**
Selects the operating mode (AUTO, COOL., DRY, FAN, HEAT; /Start / end R.C. signal code change. (Max 4 types)
- 2 **10°C HEAT button**
- 3 **SET TEMP. button (▲ / ▼)**
Sets the indoor temp. / Sets R.C. signal code.
- 4 **ECONOMY button**
- 5 **SLEEP button**
Pressed to select sleep timer.
- 6 **FAN button**
Selects the fan speed (AUTO, HIGH, MED, LOW, QUIET).
- 7 **START/STOP button**
Pressed to start and stop operation.
- 8 **SET button (Vertical)**
Air flow direction vertical set button.
- 9 **SET button (Horizontal)**
Air flow direction horizontal set button.
- 10 **SWING button**
Air flow direction swing button.
- 11 **TIMER MODE button**
Pressed to select the timer mode. (OFF TIMER, ON TIMER, PROGRAM TIMER, TIMER RESET)
- 12 **TIMER SET (+ / -) button**
Sets the current time and on-off time.
- 13 **CLOCK ADJUST button**
Sets the current time.
- 14 **RESET button**
Used when replacing batteries.
- 15 **TEST RUN button**
Used when testing the air conditioner after installation.
- 16 **Signal transmitter**



- 17 **Temperature set display**
- 18 **Operating mode display**
- 19 **Sleep display**
- 20 **Transmit indicator**
- 21 **Fan speed display**
- 22 **Swing display**
- 23 **Timer mode display**
- 24 **Clock display**

Note: Functions will be different due to type of indoor unit.
For details, please see operation manual.