

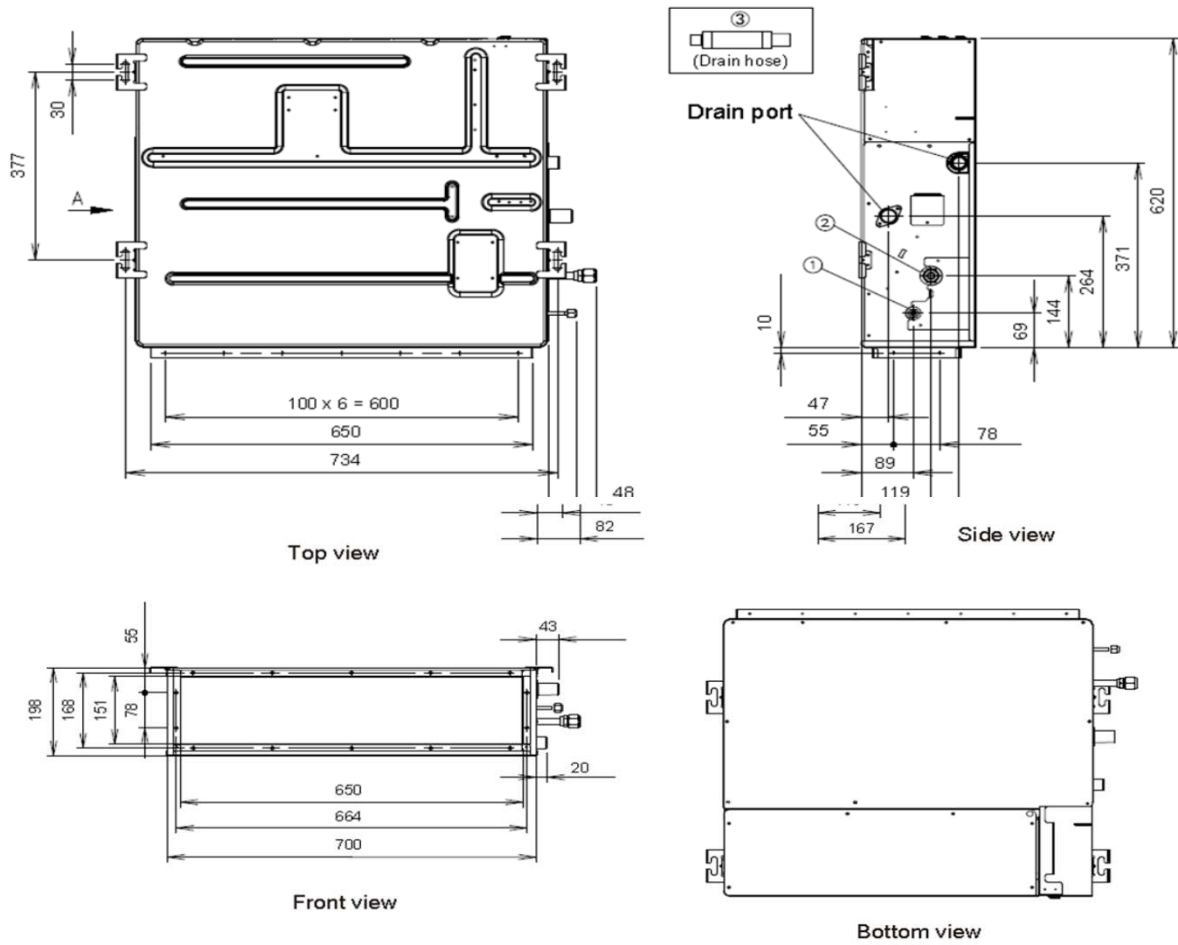


Binnenunit	Type	<b>AR14RIY</b>			Type	Unité intérieure
	Fabriekscode	ARHG14LLTB			Fabriekscode	
Koelmiddel		R410A				Réfrigérant
Verwarming (*)	Vermogen	kW	4,8	kW	Puissance	Chauffage (*)
Koeling (*)	Vermogen	kW	4,1	kW	Puissance	Refroid. (*)
Binnendeel	Debiet Q/L/M/H	m³/h	480/600/700/800	m³/h	Débit Q/L/M/H	Unité intérieure
	Geluidsdruk Q/L/M/H (1m)	dB(A)	26/28/30/33	dB(A)	Niv. son. press. Q/L/M/H (1m)	
	Werkingslim. verwarmen	°C	16~30	°C	Plage de fonct. chauff.	
	Werkingslim. koelen	°C	18~32	°C	Plage de fonct. refroid.	
	Hoogte-breedte-lengte	mm	198/700/620	mm	Hauteur/largeur/profond.	
	Gewicht	kg	19	kg	Poids	
Tech.install.	Expansie		Ext.		Détente	Install. Techn.
	Koelleidingen	inch	1/2 -1/4	inch	Lignes frigorifique	
	Sectie tssn bi en bu	mm²	4G1,5	mm²	Section entre int. et ext.	
	Ext. Stat. Druk	Pa	0-90	Pa	Pression Stat. Ext.	
	Diam. condensafvoer bi/bu	mm	25/32	mm	Diam. évac. condensat bi/bu	

(\*) gegevens volgens de norm EN14511

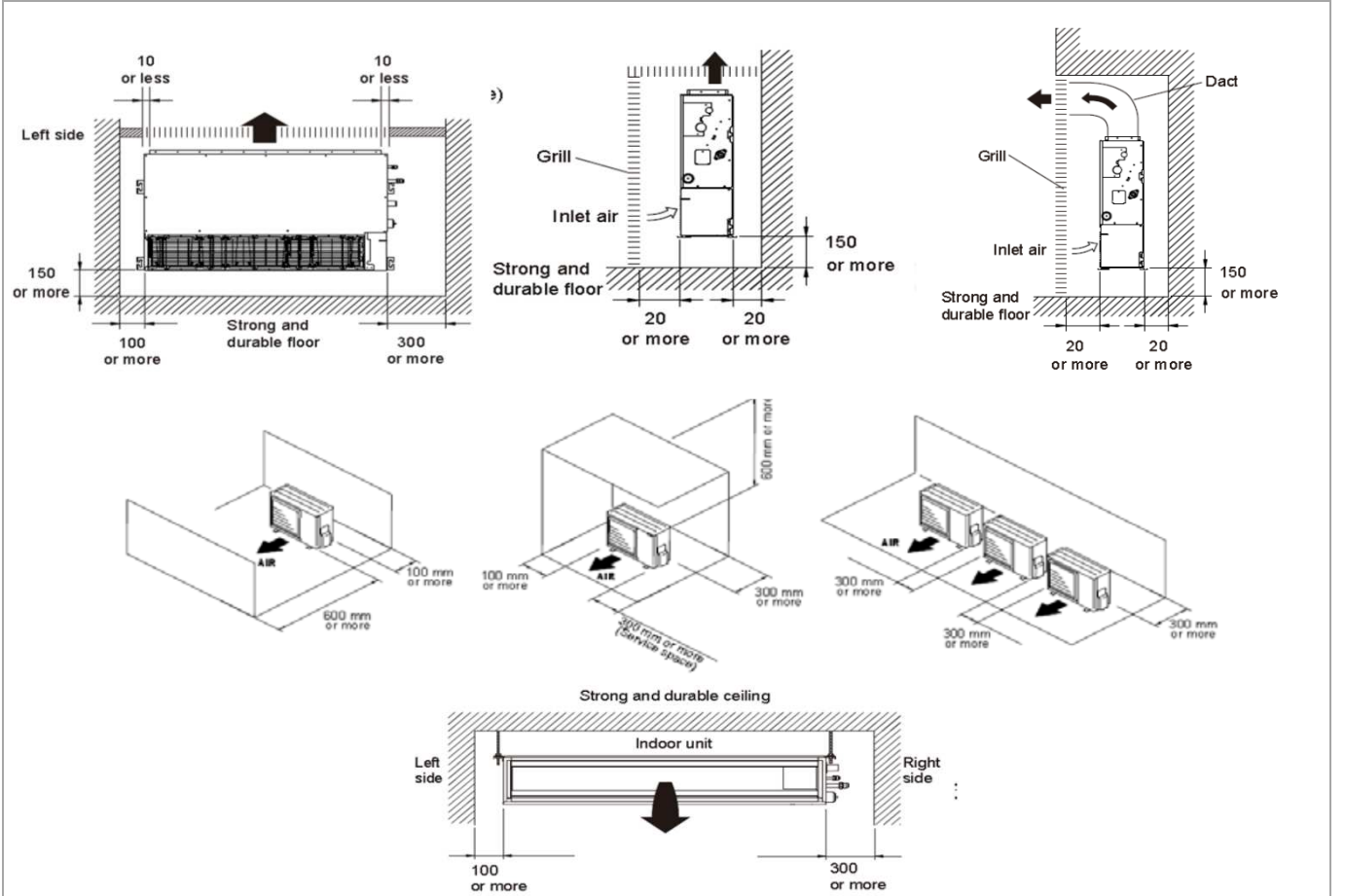
(\*) SCOP &amp; SEER based on (EU)626/2011

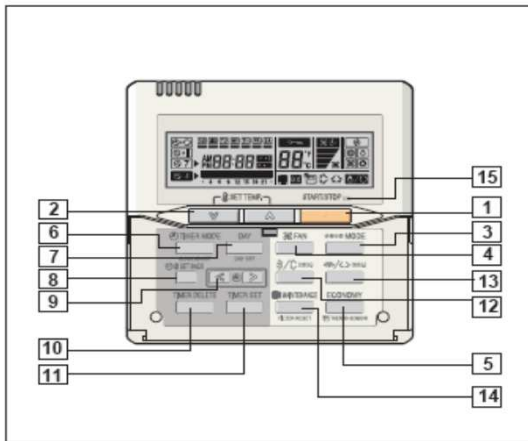
(\*) suivant la norme EN14511



Montage

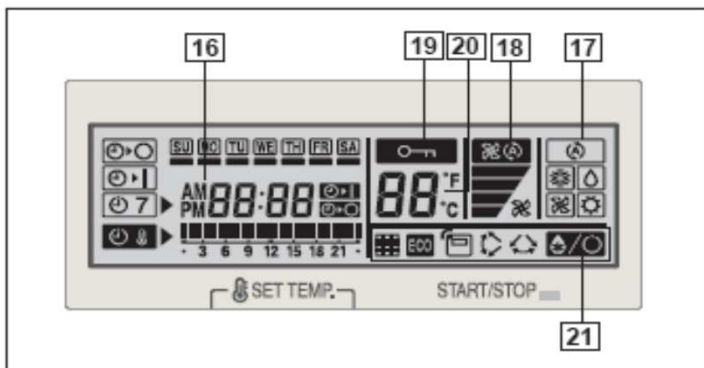
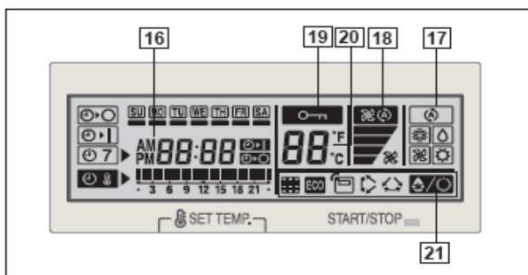
Montage





- 1 START/STOP button  
Pressed to start and stop operation.
- 2 Set temperature button  
Selects the setting temperature.
- 3 Master control button  
Selects the operating mode(AUTO, HEAT, FAN, COOL, DRY).
- 4 Fan control button  
Selects the fan speed (AUTO, QUIET, LOW, MED, HIGH).
- 5 Economy button  
Turns the economy efficient mode on and off.
- 6 Timer mode (CLOCK ADJUST) button  
Selects the timer mode (OFF TIMER, ON TIMER, WEEKLY TIMER).  
Set the current time.
- 7 Day (DAY OFF) button  
Temporarily cancels of one day timer.
- 8 Set back button  
Pressed to select the set back timer.
- 9 Set time button  
Pressed to set time.
- 10 Delete button  
The schedule of a weekly timer is deleted.
- 11 Set button  
Sets the date, hour, minute and on-off time.
- 12 Vertical airflow direction and swing button\*  
Push for two seconds to change the swing mode.
- 13 Horizontal airflow direction and swing button\*  
Push for two seconds to change the swing mode.
- 14 Filter button\*
- 15 Operation lamp  
Lights during operation and when the timer is on.

Display panel



- 16 Timer and clock display
- 17 Operation mode display
- 18 Fan speed display
- 19 Operation lock display
- 20 Temperature display
- 21 Function display
  - Defrost display
  - Thermo sensor display
  - Economy display
  - Vertical swing display\*
  - Horizontal swing display\*
  - Filter display\*

\*These functions are not available.