

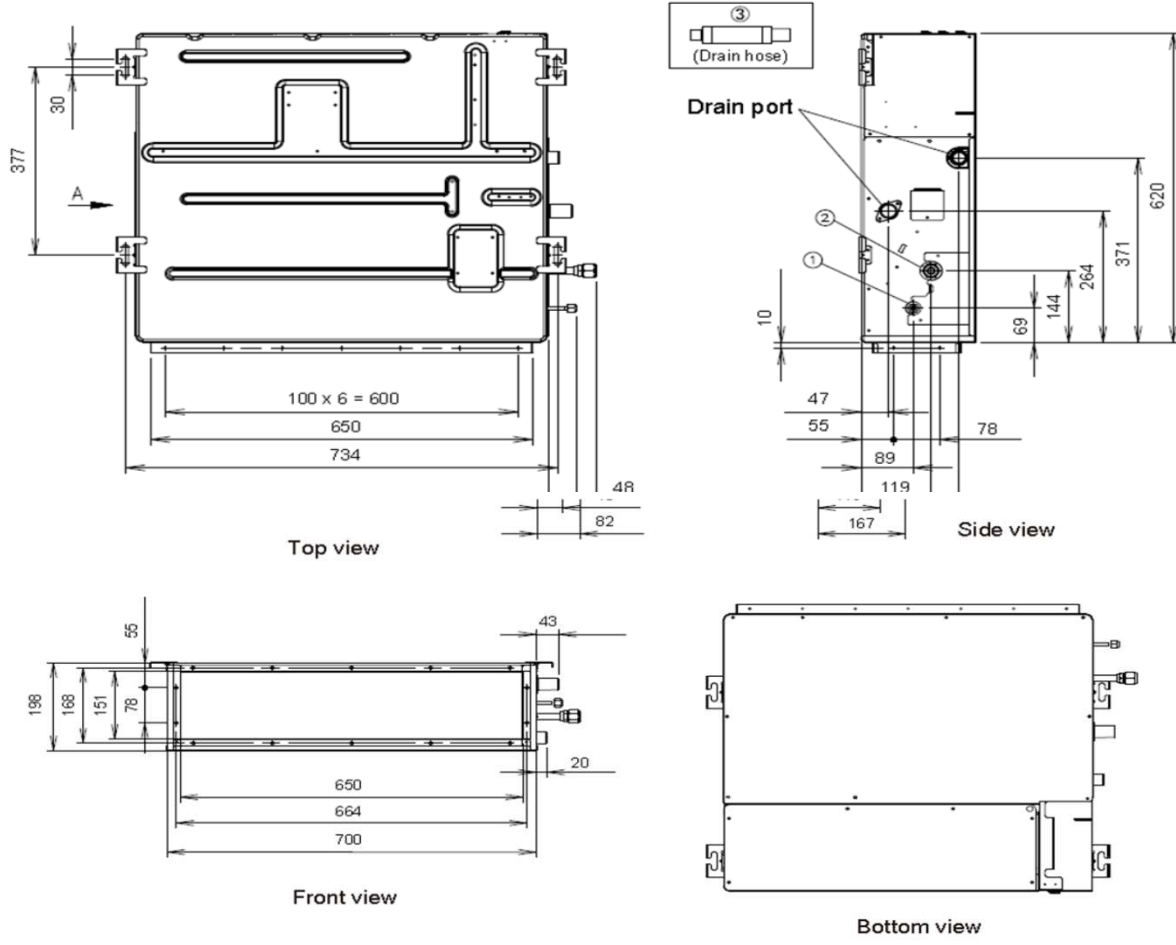


| | | | | | | |
|----------------|---------------------------|----------------|-----------------|-------|-------------------------------|------------------|
| Binnenunit | Type | AR07RIY | | | Type | Unité intérieure |
| | Fabriekscode | ARHG07LLTA | | | Fabriekscode | |
| Koelmiddel | | R410A | | | | Réfrigérant |
| Verwarming (*) | Vermogen | kW | 2,5 | kW | Puissance | Chauffage (*) |
| Koeling (*) | Vermogen | kW | 2,1 | kW | Puissance | Refroid. (*) |
| Binnendeel | Debiet Q/L/M/H | m³/h | 440/470/490/550 | m³/h | Débit Q/L/M/H | Unité intérieure |
| | Geluidsdruk Q/L/M/H (1m) | dB(A) | 24/25/26/28 | dB(A) | Niv. son. press. Q/L/M/H (1m) | |
| | Werkingslim. verwarmen | °C | 16~30 | °C | Plage de fonct. chauff. | |
| | Werkingslim. koelen | °C | 18~32 | °C | Plage de fonct. refroid. | |
| | Hoogte-breedte-lengte | mm | 198/700/620 | mm | Hauteur/largeur/profond. | |
| | Gewicht | kg | 18 | kg | Poids | |
| Tech.install. | Expansie | | Ext. | | Détente | Install. Techn. |
| | Koelleidingen | inch | 3/8 -1/4 | inch | Lignes frigorifique | |
| | Sectie tssn bi en bu | mm² | 4G1,5 | mm² | Section entre int. et ext. | |
| | Ext. Stat. Druk | Pa | 0-90 | Pa | Pression Stat. Ext. | |
| | Diam. condensafvoer bi/bu | mm | 25/32 | mm | Diam. évac. condensat bi/bu | |

(*) gegevens volgens de norm EN14511

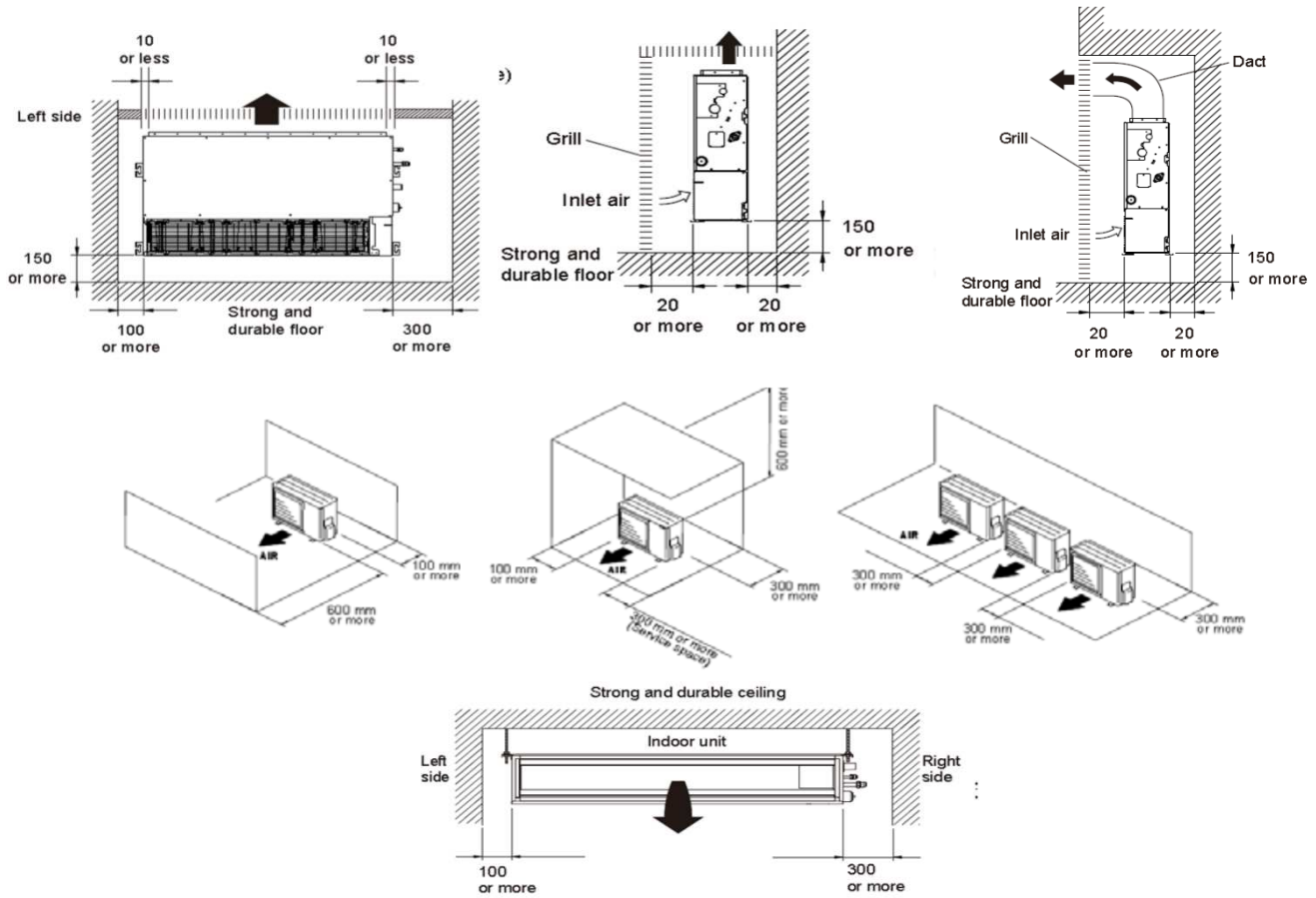
(*) SCOP & SEER based on (EU)626/2011

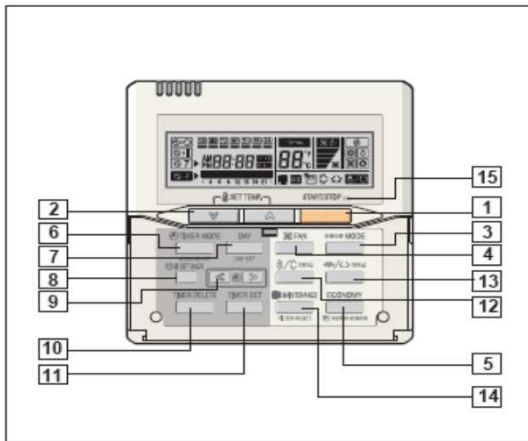
(*) suivant la norme EN14511



Montage

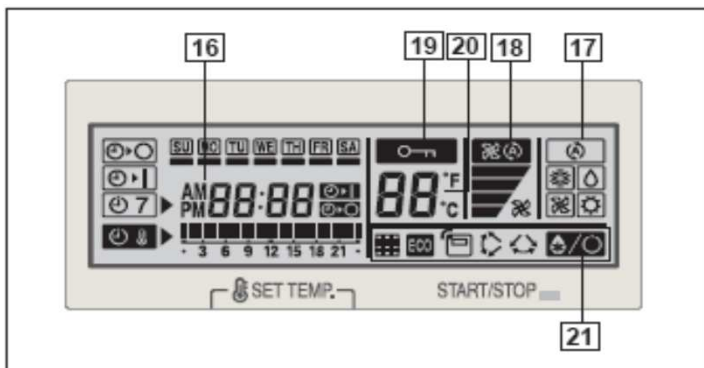
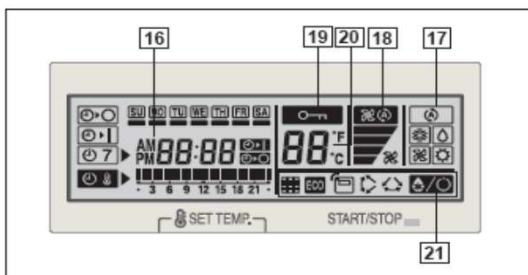
Montage





- 1 START/STOP button
Pressed to start and stop operation.
- 2 Set temperature button
Selects the setting temperature.
- 3 Master control button
Selects the operating mode(AUTO, HEAT, FAN, COOL, DRY).
- 4 Fan control button
Selects the fan speed (AUTO, QUIET, LOW, MED, HIGH).
- 5 Economy button
Turns the economy efficient mode on and off.
- 6 Timer mode (CLOCK ADJUST) button
Selects the timer mode (OFF TIMER, ON TIMER, WEEKLY TIMER).
Set the current time.
- 7 Day (DAY OFF) button
Temporarily cancels of one day timer.
- 8 Set back button
Pressed to select the set back timer.
- 9 Set time button
Pressed to set time.
- 10 Delete button
The schedule of a weekly timer is deleted.
- 11 Set button
Sets the date, hour, minute and on-off time.
- 12 Vertical airflow direction and swing button*
Push for two seconds to change the swing mode.
- 13 Horizontal airflow direction and swing button*
Push for two seconds to change the swing mode.
- 14 Filter button*
- 15 Operation lamp
Lights during operation and when the timer is on.

Display panel



- 16 Timer and clock display
- 17 Operation mode display
- 18 Fan speed display
- 19 Operation lock display
- 20 Temperature display
- 21 Function display
 - Defrost display
 - Thermo sensor display
 - Economy display
 - Vertical swing display*
 - Horizontal swing display*
 - Filter display*

*These functions are not available.